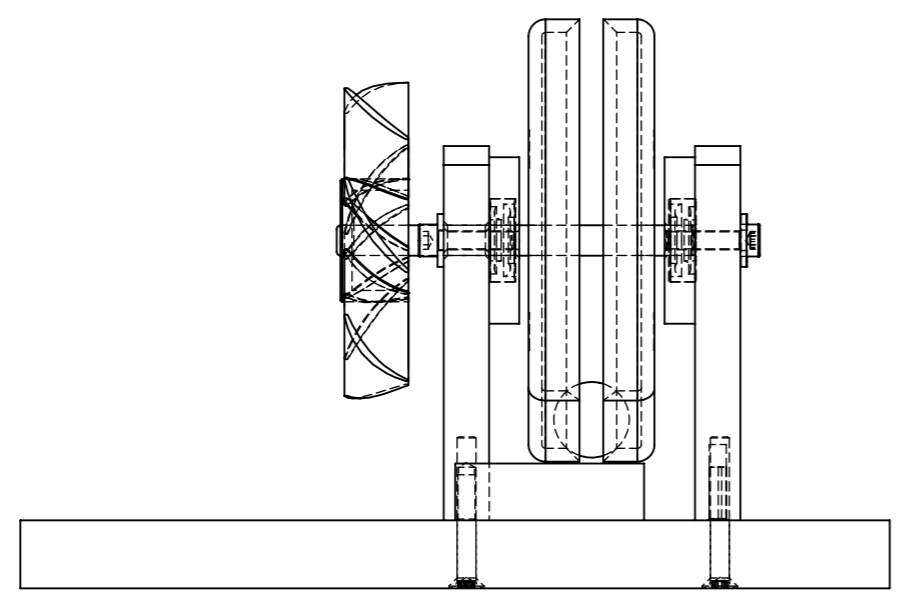


ITEM NO.	PART NUMBER	DESCRIPTION	QTY.
1	bodemplaat		1
2	steun bij vent		1
3	ISO 15 ABB - 108 - 8,SI,NC,8_68		2
4	ISO 10669-5.4-N		4
5	ISO 4762 M5 x 20 - 20N		4
6	steun bind		1
7	as		1
8	wiel		2
9	fan		1
10	bal		1
11	magneet		1
12	ISO 14581 M5x40x40-N		4
13	lagerhouder		2



UNLESS OTHERWISE SPECIFIED:
 DIMENSIONS ARE IN MILLIMETERS
 SURFACE FINISH:
 TOLERANCES:
 LINEAR:
 ANGULAR:

FINISH:

DEBURR AND BREAK SHARP EDGES

Hogeschool Windesheim
 Leszek Kuczkowski Studentennr.: S1138943
 Gerard Mastenbroek Studentennr.: S1183878

REVISION

TITLE:
Samenstelling ventilator

DRAWN L.Kuczkowski 20.12.2018
 DRAWN G.Mastenbroek
 APPV'D
 MFG
 Q.A

MATERIAL: aluminium
 hout
 messing
 kunststof

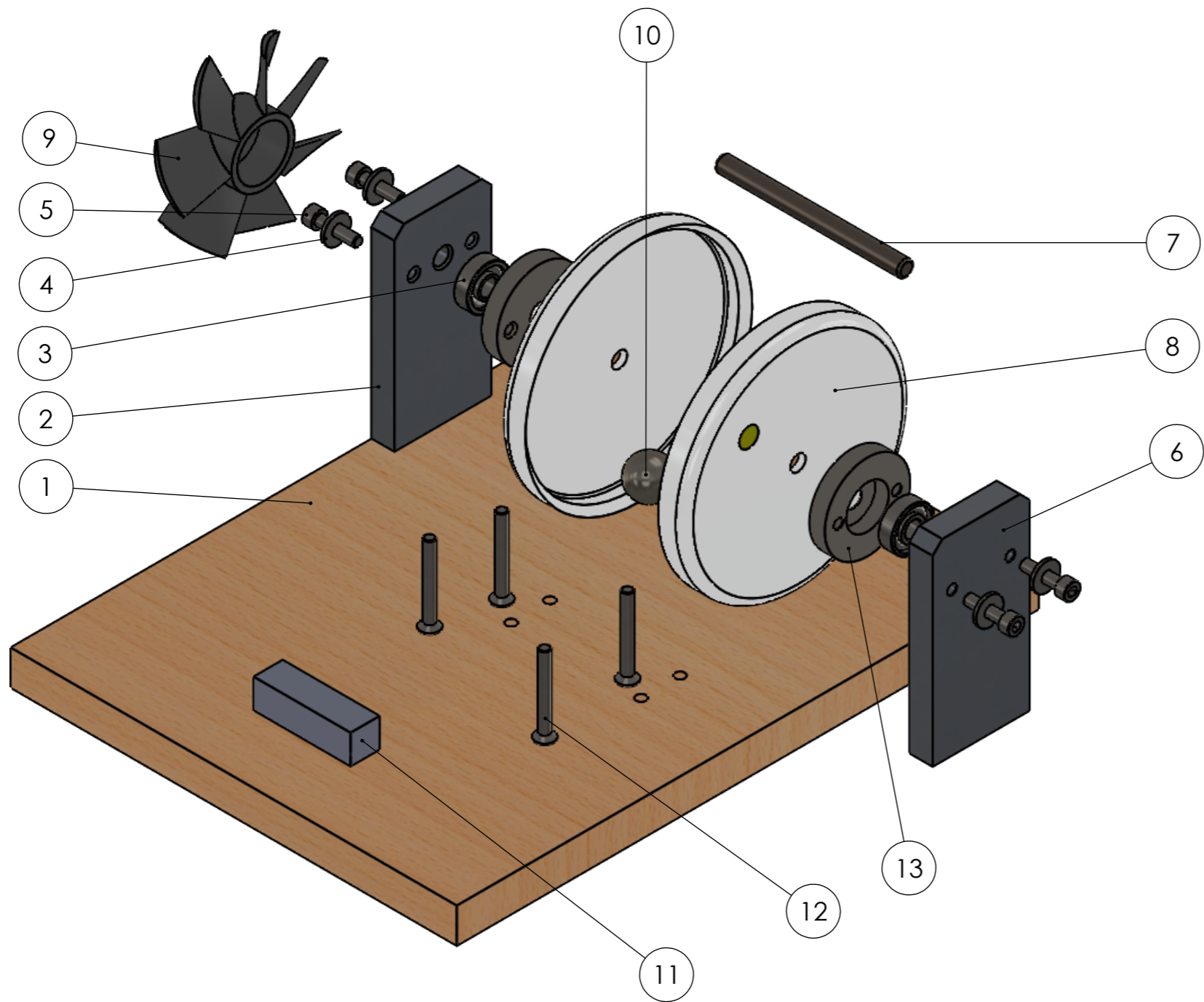
WEIGHT: 1079.33 grams

DWG NO. 1

SCALE: 1:2

A3

SHEET 1 OF 2



ITEM NO.	PART NUMBER	DESCRIPTION	QTY.
1		bodemplaat	1
2		steun bij vent	1
3		ISO 15 ABB - 108 - 8,SI,NC,8_68	2
4		ISO 10669-5.4-N	4
5		ISO 4762 M5 x 20 - 20N	4
6		steun bind	1
7		as	1
8		wiel	2
9		fan	1
10		bal	1
11		magneet	1
12		ISO 14581 M5x40x40-N	4
13		lagerhouder	2

UNLESS OTHERWISE SPECIFIED: DIMENSIONS ARE IN MILLIMETERS SURFACE FINISH: TOLERANCES: LINEAR: ANGULAR:			FINISH:		DEBURR AND BREAK SHARP EDGES		DO NOT SCALE DRAWING		REVISION	
							Leszek Kuczkowski, Studentennr.: S1138943		Gerard Mastenbroek, Studentennr.: S1183878	
							TITLE:		assemblage ventilator	
							DWG NO. 1		A3	
					MATERIAL: aluminium hout messing kunststof-PVC		SCALE:1:5		SHEET 2 OF 2	
					WEIGHT: 1079,33 gr					